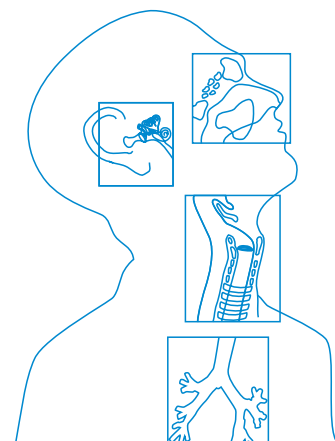
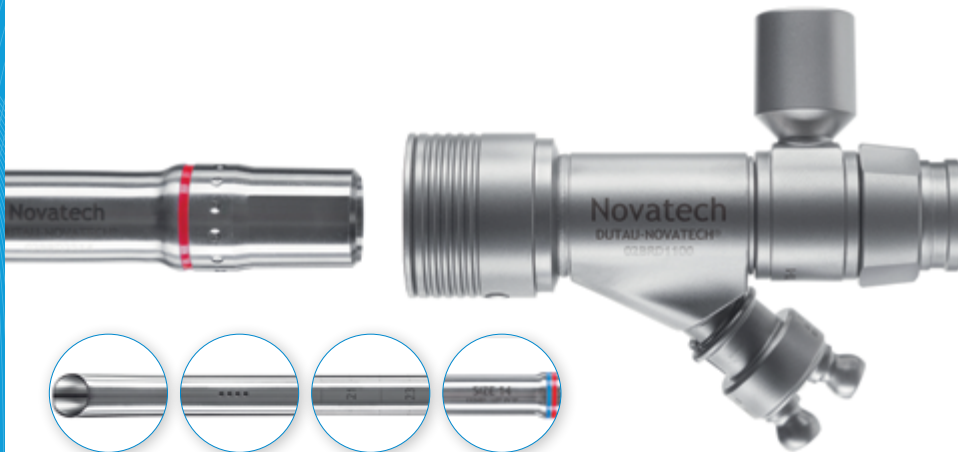
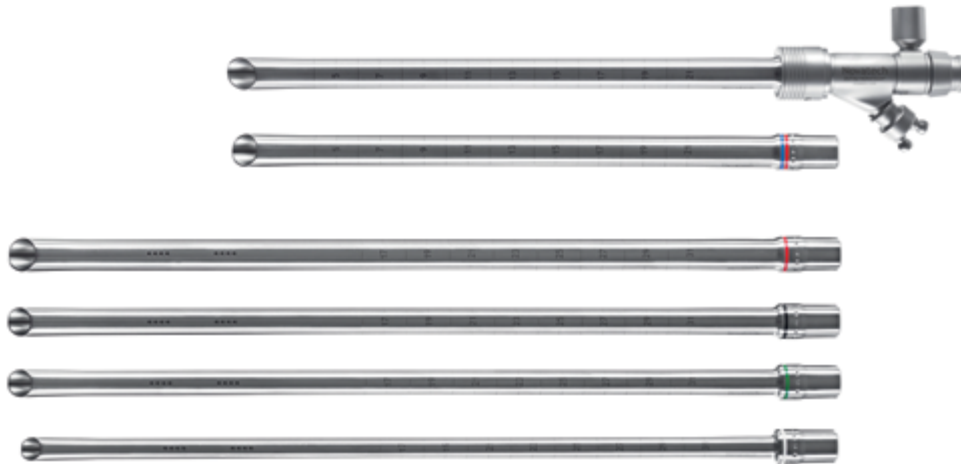


Instruments and Accessories for Bronchoscopy



DUTAU-NOVATECH® Rigid Bronchoscope

The modular DUTAU-NOVATECH® Rigid Bronchoscope is designed for use in interventional bronchoscopy. It combines innovative features for easier handling and a wide compatibility with essential bronchoscopy instruments.



The short tracheoscope tube (size 14) can be used for intubation. Smaller bronchoscope tubes (size 12 and smaller) can be inserted through the tracheoscope without the need for re-intubation.

Features

System

- Modular system of universal head and interchangeable tubes
- Compatible with TONN™/NOVATECH Stent Applicator System for easy placement of silicone stents (DUMON® and GSS™)
- Compatible with KARL STORZ rigid bronchoscopy instruments (e.g. optical forceps)
- Good inner/outer diameter ratio for optimized gas exchange
- Fully dismantlable to facilitate state-of-the-art reprocessing

Head

- Snap-fit connector for fast and easy attachment of tubes
- Tubes can be attached comfortably in various rotation positions.
- Rotatable ventilation element for less tangling of tubes
- Lateral Double Port, e.g. for laser and suction tubes
- Short head length for optimized total operating length

Tubes

- Tubes have an ISO cone connector for direct attachment of anesthesia tube.
- Scale on the tubes: one side even, other side uneven to facilitate measuring of stenoses
- A mark inside the tube tip helps identify the long end of the tube after rotation.



The proximal end of all tubes fits the ventilation element directly (ISO connector).



Instruments for Bronchoscopy

DUTAU-NOVATECH® Rigid Bronchoscope



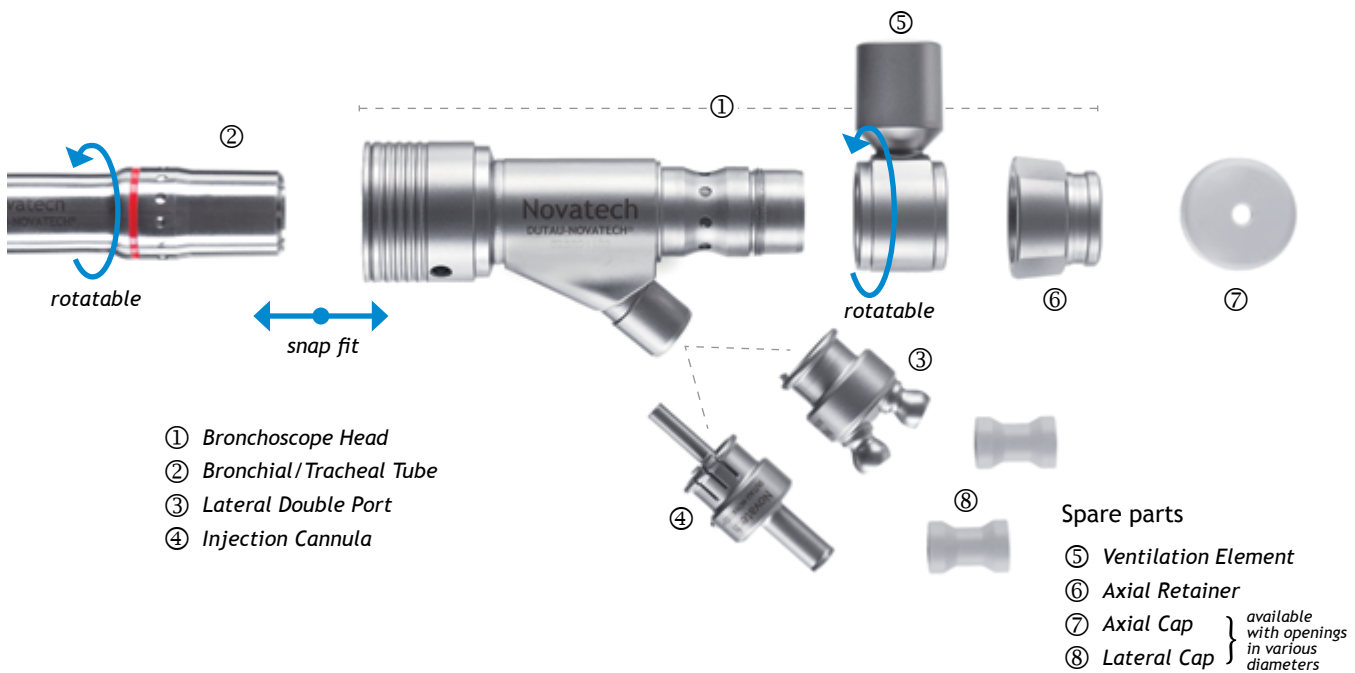
A mark inside the tube tip helps identify the long end of the tube after rotation.



Scale on the tubes: one side even, other side uneven to facilitate measuring of stenoses.

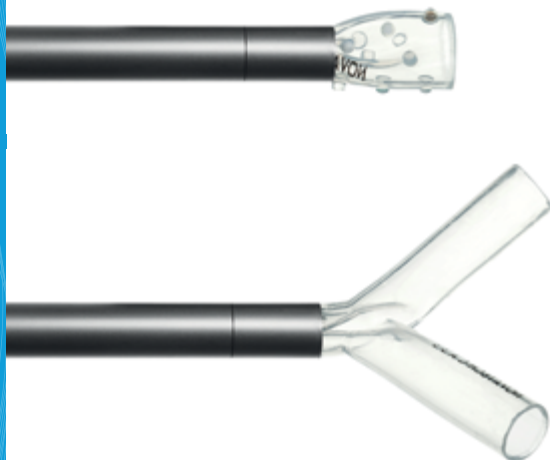
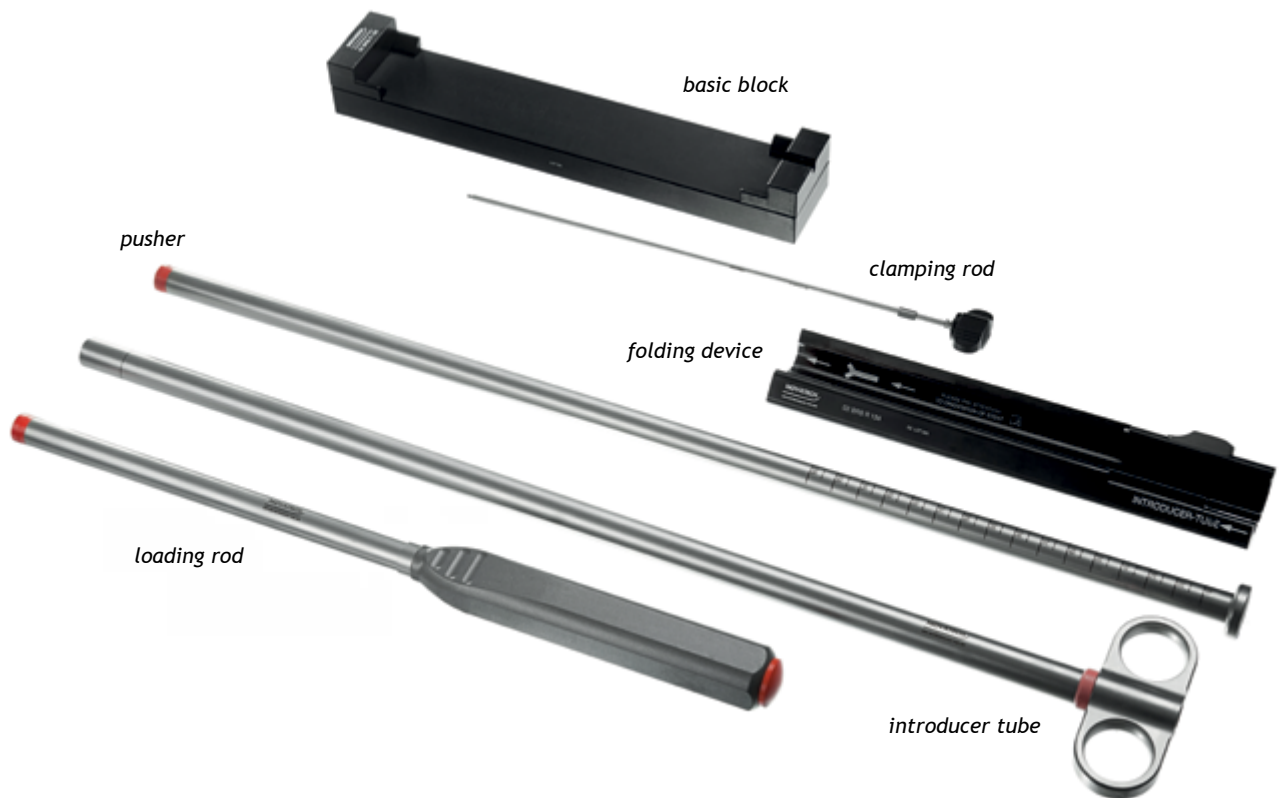


Bronchoscope tube sizes range from sizes 9 to 14. Tubes are color coded and sizes are clearly marked. An additional blue ring indicates a short tube length (tracheoscope).



REF	Description	Color Code	ID / OD (mm)	Length (cm)
02BRD1100	Bronchoscope Head			
02BRD2514	Tracheal Tube, size 14	blue/red	13 / 14	25
02BRD3514	Bronchial Tube, size 14	red	13 / 14	35
02BRD3512	Bronchial Tube, size 12	black	10.7 / 12	35
02BRD3511	Bronchial Tube, size 11	green	10.5 / 11.2	35
02BRD3509	Bronchial Tube, size 9	white	8.5 / 9.2	35
02BRD1120	Lateral Double Port			
02BRD1110	Injection Cannula			

TONN™/NOVATECH Tracheal and Bronchial Stent Applicator



Developed by Dr. Tonn (Hanover, Germany), the TONN™/NOVATECH tracheal and bronchial Stent Applicator facilitates the placement of NOVATECH's tracheobronchial stents GSS™ and DUMON® through a rigid bronchoscope.

Easy to handle, the TONN™/NOVATECH Stent Applicator is available in four sizes (**BLUE**, **RED**, **GREEN** and **WHITE**) allowing the insertion of silicone stents in a wide range of sizes: Stents with an outer diameter of up to 20 mm and a length of up to 160 mm (Y-Stents) can be placed.

Furthermore Y-Stent insertion is facilitated. The correct position of the branches for the left and the right bronchus is determined before insertion, minimising the risk of misplacement and stent damage.

TONN™/NOVATECH Tracheal and Bronchial Stent Applicator

Color	Introducer tube length (cm)	Introducer tube ID (mm)	REF
BLUE	32	12.75	02 BRS B 120
RED	42	12.75	02 BRS R 130
GREEN	42	10.25	02 BRS G 140
WHITE	42	8.2	02 BRS W 150

Individual components available as spare parts. Please contact us for a quotation.

Which applicator (BLUE, RED, GREEN, WHITE) is used for which GSS™/DUMON® stent?

TD Length

	20	30	40	50	60	70	80	90	100	110
11	✓	✓	✓	✓	✓	✓	✓			
12	✓	✓	✓	✓	✓	✓	✓			
13		✓	✓	✓	✓	✓	✓			
14		✓	✓	✓	✓	✓	✓			
15	✓	✓	✓	✓	✓	✓	✓	✓	✓	✓
16	✓	✓	✓	✓	✓	✓	✓	✓	✓	✓
18		✓	✓	✓						

TF Length

	30	40	50	60	70	80	90	100	110
12	✓	✓	✓	✓	✓	✓			
13	✓	✓	✓	✓	✓	✓			
14	✓	✓	✓	✓	✓	✓			
16		✓	✓	✓	✓	✓	✓	✓	
18		✓	✓	✓	✓	✓	✓	✓	✓
20		✓	✓	✓	✓	✓	✓	✓	✓

BD Length

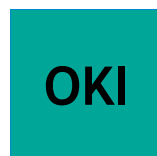
	20	30	40	50	60	70	80
9	✓	✓	✓	✓	✓	✓	
10	✓	✓	✓	✓	✓	✓	
11	✓	✓	✓	✓	✓		
12	✓	✓	✓	✓	✓	✓	✓

BB Length

	10	20	30	40	50	60
5	✓	✓	✓	✓	✓	
6	✓	✓	✓	✓	✓	
7	✓	✓	✓	✓	✓	
8	✓	✓	✓	✓	✓	
9	✓	✓	✓	✓	✓	✓
10	✓	✓	✓	✓	✓	✓
11	✓	✓	✓	✓	✓	✓
12	✓	✓	✓	✓	✓	✓

ST

12	✓
14	✓
15	✓
16	✓
18	✓



CB Length

	20	30	40	50	60
9	✓	✓	✓	✓	
10	✓	✓	✓	✓	
11	✓	✓	✓	✓	
12	✓	✓	✓	✓	✓

NB: Stents which can be placed with the BLUE system can also be placed with the RED system.
For stents not appearing in the chart and/or for custom made stents, please contact our customer service.

DUTAU® forceps

The DUTAU® forceps allows the physician to create a smooth fenestration in a NOVATECH® GSS™ or DUMON® silicone stent in order to adapt it to a specific situation (e.g. ventilation of the upper lobe).



REF	Description	Items per box
6522	DUTAU® forceps	1

SURVAC™ suction catheters for bronchoscopy

SURVAC™ are atraumatically rounded single use suction catheters for bronchoscopy.

The PTFE-catheters are more flexible than the polycarbonate (PC) catheters. Due to their flexibility and their small diameter, the PTFE-catheters are adapted to suctioning more distal parts of the tracheobronchial tree.

The larger (3 x 4 mm) polycarbonate catheters are particularly suited for the axial aspiration of larger tumor parts or suctioning of large quantities in emergency cases.



REF	Désignation	Diameter (mm)		Length (cm)	Connector	Items per box
		ID	OD			
77622	SURVAC™ PTFE	2.0	3.0	60	female, PVC	50
77632	SURVAC™ PC	2.0	2.7	60		
77642	SURVAC™ PC	3.0	4.0	60		
77642SC	SURVAC™ PC	3.0	4.0	30		

bess® ZS Dental Protection

Protects the teeth against excessive instrument pressure.

Features

- anatomic design offering the dental arch maximum protection against excessive instrument pressure
- made of medical grade silicone
- multiple use product (comes unsterile)
- highly resistant to heat
- sterilisation by gas, plasma or steam (134°C)
- can be sterilised together with instruments on the instrument tray and will thus be directly available as part of the tray



REF	Description	Items per box
BM 80 1001	bess® ZS Dental Protection	10

The products in this catalog are CE-marked.



Please note that only the instructions for use enclosed with the respective product apply. Details in this catalogue about the use of products serve as a guide only and reflect the information available at the time of print. If necessary, please request a current version!



NOVATECH SA, La Ciotat, France
except for bess® ZS dental protection,
manufactured by bess pro gmbh, Germany



Novatech
new biotechnology for life

a bess group company

Novatech SA

capital stock: 160.000 € • 398 941 260 RCS Marseilles
TVA CEE FR59398941260 • certified according to EN ISO 13485
Jurisdictional venue / seat of the company:
Z.I. Athélia III — 1058, Voie Antiope
F—13705 LA CIOTAT CEDEX, FRANCE
TEL + 33 (0) 442 98 15 60 • FAX +33 (0) 442 98 15 63
info@novatech.fr • www.novatech.fr