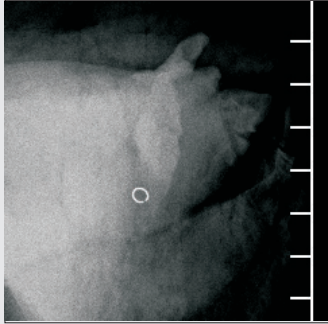




O-Twist-Marker

For Breast Marking

◇ Universal Use



Mammography



Ultrasound



MRI

◇ Independent of any Biopsy System

◇ Direct application possible (Chemotherapy)

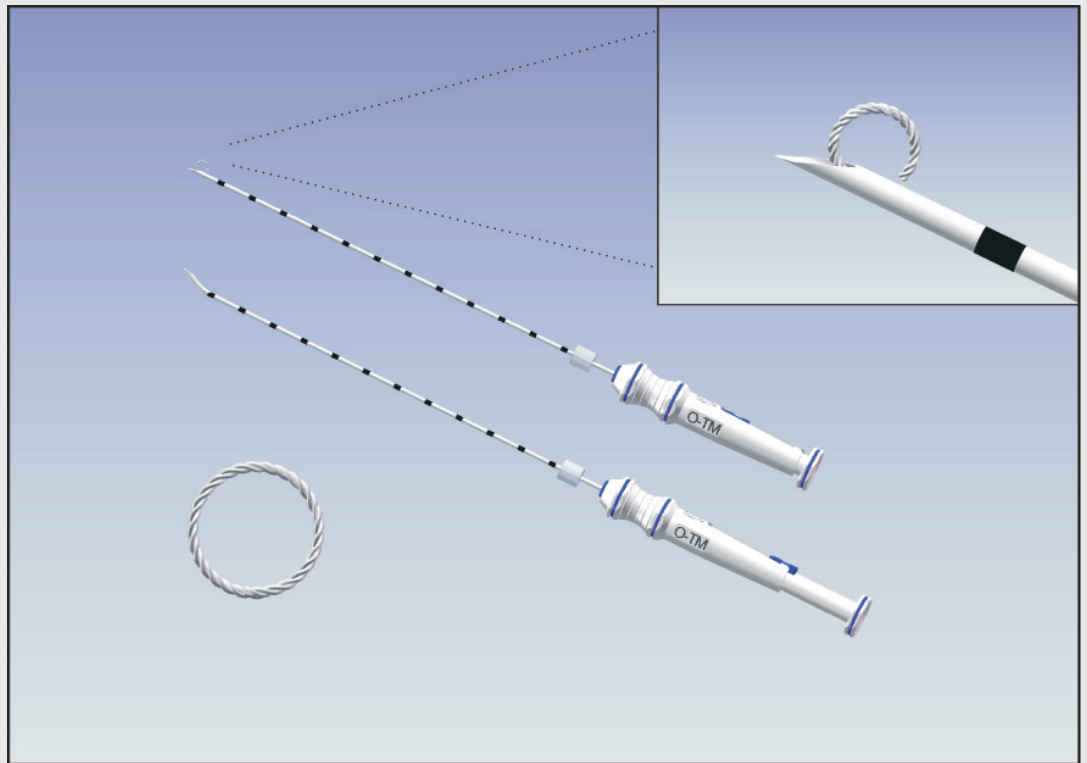
◇ Minimized Dislocation

◇ 2 versions available



Can be used in combination with all diagnostic methods such as Mammography, Ultrasound, MRI, CT.

The twisted marking element (ring) reflects ultrasound. This ensures a good visibility.



Can be used in combination with any major Biopsy System, either after Vacuum-Assisted-Biopsy or Core Biopsy.

The application tool is a sharp cannula (20G). It is also ideal for a direct application of the O-TWIST-MARKER (i.e. marking of Lesions before performing a neoadjuvant Chemotherapy).

The O-TWIST-MARKER anchors itself firmly inside the tissue. Its design minimizes any dislocation.

O-Twist-Marker with straight cannula

Art.no.:OTM3.0SA

O-Twist-Marker with bended tip of cannula

Art.no.:OTM3.0RA

Technical Specifications:

Material: Nitinol (biocompatible)
Diameter of Ring: 3mm
Cannula: 20G/0.9mm / 157mm (length)

BIOMED.-INSTRUMENTE & PRODUKTE GmbH

Am Brand 1, D-82299 Tuerkenfeld, Germany
Phone: +49 (0)8193 9318 0 Fax: +49 (0)8193 6548
info@bipmedical.com
www.BIPmedical.com

New version ergonomically designed handle